



Certified

Product range

Series 6.1

Pitch 50 mm (2 in)



siegling prolink
modular belts

Prolink Beltfinder

THE NEW APP



The easy way
to find the
right plastic
modular belt
for your
conveyor.

m.prolink-finder.com

Siegling – total belting solutions

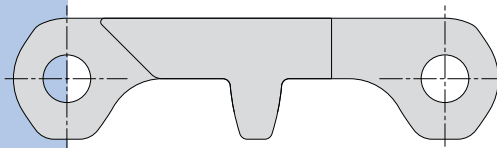


MOVEMENT SYSTEMS

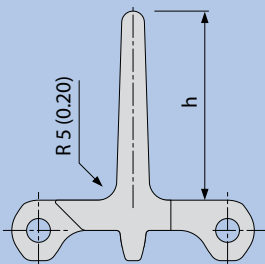
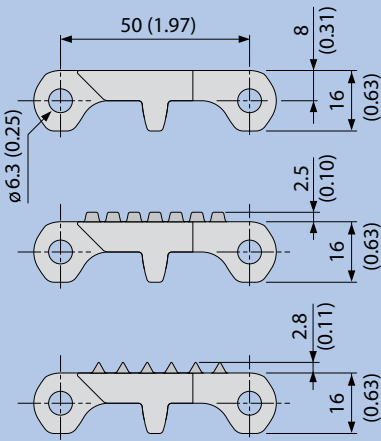
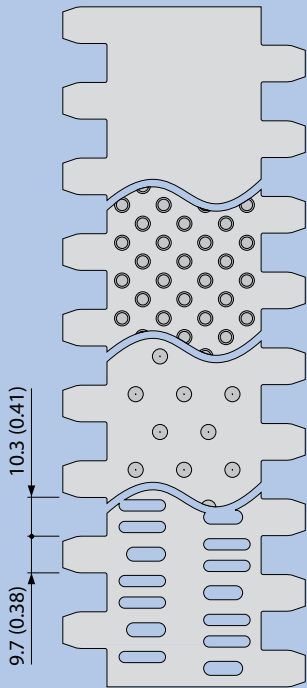
Siegling Prolink

Series 6.1

Linear modules,
pitch 50 mm (2 in)*



Scale 1:1



Key dimensions in mm and inches (in), scale 1:2.
* All imperial dimensions (inches) are rounded off.

50 mm (2 in) pitch straight running belt for medium and heavy-duty, hygiene-critical applications.

Design characteristics

- wide modules and eyelets for less soiling
- hinges that open wide, wide channels on the underside and a continuous drive bar for an easy-to-clean design
- robust design and smooth, cut-resistant surface
- special sprocket design with enhanced tooth engagement for excellent force transmission

Special features

- open area for excellent air circulation and drainage
- special surface pattern for superior grip
- nub top surface for good release of wet and sticky products
- profiles with flat top surface for dry products
- profiles with no-cling surface to improve release of wet and sticky products
- side guards for retention of bulk products

Pitch
50 mm (2 in)

Belt width min.
40 mm (1.6 in)

Width increments
In increments of 20 mm (0.8 in)

Hinge pins
Made of plastic (PE, PP, PBT).

Certification
For certification see fold-out page.

Drum motor
Power transmission using drum motors with rubber coating and profiles applied is possible. Please enquire.

Belt types

S6.1-0 FLT

Easy-to-clean belt with closed, smooth surface

S6.1-0 NTP

Easy-to-clean belt with closed surface and round studs

S6.1-0 CTP

Easy-to-clean belt with closed surface and pointed studs

S6.1-23 FLT

Easy-to-clean belt with open, smooth surface



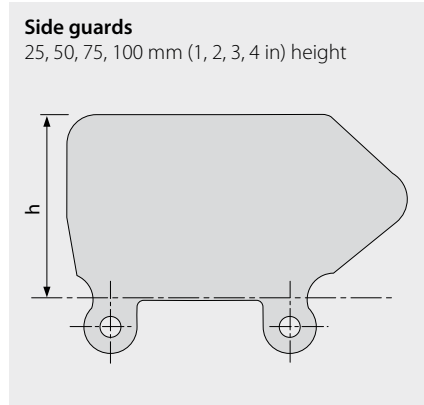
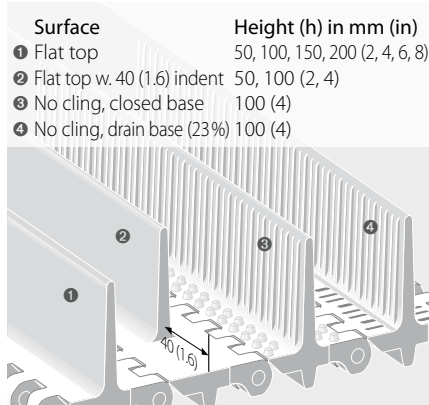
Also available in POM-CR for extra puncture/cut resistance



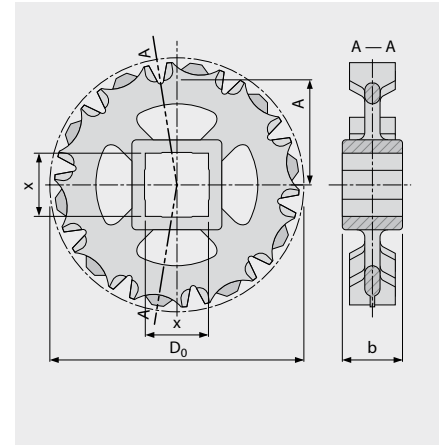
Materials*	Colours	Open area [%]	Allowable belt pull [N/mm (lb/ft)]	Weight [kg/m ² (lb/ft ²)]
PE	WT/LB	0	13 (891)	9.4 (1.9)
PP	WT/LB	0	18 (1233)	8.3 (1.7)
POM	WT/LB	0	30 (2055)	13.4 (2.7)
POM-CR	WT	0	30 (2055)	13.4 (2.7)
PE	WT	0	13 (891)	9.6 (2.0)
POM		0	30 (2055)	13.7 (2.8)
PE		0	13 (891)	9.5 (1.9)
POM	WT	0	30 (2055)	13.5 (2.8)
PE	WT/LB	23	13 (891)	8.2 (1.7)
PP	WT/LB	23	18 (1233)	7.0 (1.4)
POM		23	30 (2055)	11.3 (2.3)

* Apart from the standard materials modules are also available in POM-MD upon request.

Profile and side guard designs



Sprockets



Sprocket size	Z6	Z8	Z10	Z12
b [mm]	38	38	38	38
[in]	(1.5)	(1.5)	(1.5)	(1.5)
D ₀ [mm]	101	132	163	195
[in]	(4.0)	(5.2)	(6.4)	(7.7)
A [mm]	42	58	74	89
[in]	(1.7)	(2.3)	(2.9)	(3.5)
x [mm] (sprocket bore metric)				
30	●	●	●	
40	■	■	■	■
60				■
x [in] (sprocket bore imperial)				
1	●	●	●	
1.5	■	■	■	■
2.5				■

- Sprocket bore round
- Sprocket bore square

- b Sprocket width
- D₀ Pitch circle diameter
- A Distance centre of sprocket bore/ top edge support

The abbreviations and type key are explained on the fold-out page at the back.



Siegling Prolink Series 6.1 is certified by NSF to NSF/ANSI Standard 14159-3

Type key, legend

Type key*

		Series ①		Open area/Sprocket size ②		Surface pattern ③		Type ④		Style ⑤		Material ⑥		Colour ⑦		Height/Diameter/Bore size and style ⑧		Length/Width ⑨	
S2	-	Z20		SPR		POM	WT	RD1.5IN											
S4.1	-	0	FLT	UM		POM	BL												W200
S5	-	45	GRT	SML	SG	POM	WT	H100											W100

Legend

① Series S1 S2 S3 S4.1 S5 S6.1 S7 S8 S9 S10	④ Type CM = Centre module SML = Side module, left SMR = Side module, right SMU = Side module, universal/both sides UM = Universal module PMC = Profile module centre PMU = Profile module universal PMU = Profile module universal with indent xx = indent in mm CLP = Clip RI = High Grip insert SG = Module with sideguard PIN = Coupling rod FPL = Finger plate SPR = Sprocket RTR = Retaining ring TPL = Turning panel, left TPR = Turning panel, right	⑥ Material PA = Polyamide PA-HT = Polyamide high temperature PBT = Polybutylenterephthalate PE = Polyethylene PE-MD = PE metal detectable POM = Polyoxymethylene (Polyacetal) POM-CR = POM cut resistant POM-HC = POM highly conductive POM-MD = POM metal detectable PP = Polypropylene PP-HC = PP highly conductive PXX = Self-extinguishing material PXX-HC = Self-extinguishing highly conductive material POM-PE = POM side modules + PE centre modules POM-PP = POM side modules + PP centre modules R1 = TPE 80 Shore A, PP R2 = EPDM 80 Shore A, vulcanised R3 = TPE 70 Shore A, PP R4 = TPE 86 Shore A, PP R5 = TPE 52 Shore A, PP R6 = TPE 63 Shore A, POM R7 = TPE 50 Shore A, PP R8 = TPE 55 Shore A, PE SER = Self-extinguishing TPE SS = Stainless steel HA = Supports the HACCP concept	⑦ Colour** AT = Anthracite BL = Blue BG = Beige BK = Black DB = Dark blue GN = Green LB = Light blue LG = Light grey OR = Orange RE = Red TR = Transparent WT = White YL = Yellow	⑧ Height/Diameter/Bore size and style Height in mm Format: Hxxx Pin diameter in mm Format: Dxxx Bore size: SQ (= square) or RD (= round) either in mm or inches Format: SQxxMM or RDxxIN	⑨ Length/Width Pins Length in mm Format: Lxxx Module width in mm Format: Wxxx
② Open area/Sprocket size Percentage open area Format: xx E.g. 20 = 20 % For sprockets: number of teeth Format: "Z"xx E.g. Z12 = 12 teeth	③ Surface pattern CTP = Cone top FLT = Flat top FRT1 = Friction top, Design 1 FRT-OG = FRT without High Grip insert GRT = Grid top LRB = Lateral rib MOD = Modified module shape NCL = No cling NPY = Inverted pyramid NSK = Non skid NTP = Nub top RAT = Radius top RRB = Raised rib	⑤ Style BT = Bearing tap G = Guided SG = Side guard ST = Strong (S5) DR = Double row sprocket SP = Split sprocket F1, F2, = Collapse factor F3 ... modules			

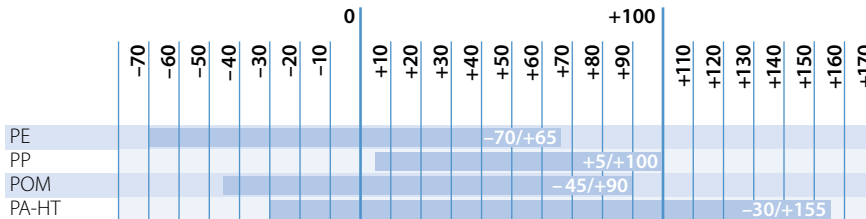
* Not every product requires all characteristics (within the designation).

If there is an irrelevant characteristic, this category will be ignored and replaced by the following one.

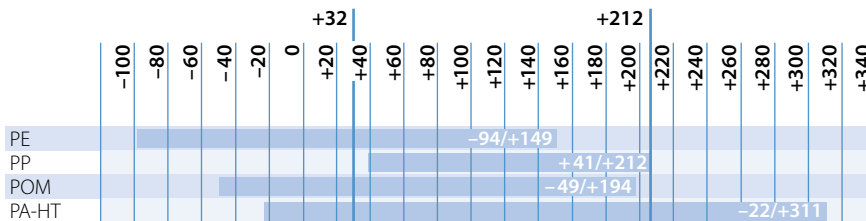
** Please refer to the table of types for each series' standard colours. A number of other colours are available on request. Colours can vary from the original due to the print, production processes or material used.

Temperature ranges/HACCP types/ Certificates/materials

Temperature ranges in °C



Temperature ranges in °F



HACCP types

Series 4.1, 6.1 and 10 in particular support your HACCP concept with a number of hygiene-friendly characteristics. These features include:

Easy-to-clean design

- with wide channels underneath the module

Excellent resistance to hydrolysis

- resistant to hot water, cleaning agents and disinfectants

Good release properties

- beneficial when manufacturing adhesive foodstuffs (minimal product wastage)
- product residue is easy to remove
- easy-to-clean hinge design

Blue a strong colour contrast

- soiling is easier to identify
- suitable for usage in optical sorters
- reduces light reflection, making working conditions better

Certificates

FDA/EU

Siegling Prolink modular belts made of PE, PP and POM comply with FDA 21 CFR as well as the (EU) 10/2011 and (EC) 1935/2004 regulations regarding the raw materials used and the migration thresholds.

NSF

Prolink series 6.1 and 10 are NSF-certified in line with the NSF/ANSI 14159-3 standard.

Halal

All Siegling POM Prolink modular belts are certified as being compliant with the Halal regulations by IFRC Asia (member of the World Halal Council).

Materials

PE (Polyethylene)

- very good chemical resistance to acids and alkalis
- very good release properties due to low surface tension
- good friction and abrasion behaviour
- extremely tough
- low specific weight

PP (Polypropylene)

- standard material for normal conveying applications
- quite strong and stiff
- good dynamic capacity
- highly resistant to acids, alkalis, salts, alcohols
- low specific weight
- no risk of stress cracks forming

POM (Polyoxymethylene/Polyacetal)

- very dimensionally stable
- very strong and stiff
- high chemical resistance to organic solvents
- lower drag
- very durable material
- hard, incision-resistant surface

POM-CR (POM cut resistant)

- highly resistant to impact and incision
- easy to clean
- minimal ridge formation
- low risk of material delamination

POM-HC (POM highly conductive)

- highly conductive material
- surface resistivity < 10⁶ Ω (according to specification)
- very strong and stiff
- very good friction and abrasion properties

POM-MD (POM metal detectable)

- material easily detected in metal detectors
- very strong and stiff
- very good tribological properties (friction and abrasion levels)

PA-HT (Polyamide high temperature)

- material reinforced with fibre glass
- very high short-term temperature resistance up to 180 °C (356 °F)
- absorbs little water in humid environments
- very stiff
- durable

PXX-HC (self-extinguishing highly conductive material)

- flame retardant in line with DIN EN 13501 (B_{fl}-s1) and DIN 4102 (B1)
- surface resistivity < 10⁶ Ω
- specially for use in the automotive industry

PBT (Polybutylenterephthalate)

- good wear resistance
- very good abrasive resistance
- good strength and stiffness

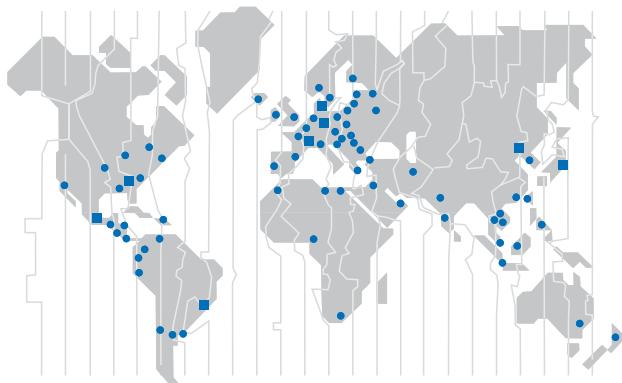
PXX (self-extinguishing material)

- quite strong and stiff
- good dynamic capacity
- highly resistant to acids, alkalis, salts, alcohols

Siegling – total belting solutions

Committed staff, quality-orientated organisation and production processes ensure the constantly high standards of our products and services. The Forbo Siegling Quality Management System is certified in accordance with DIN EN ISO 9001.

In addition to product quality, environmental protection is an important corporate goal. Early on we also introduced an environmental management system, certified in accordance with ISO 14001.



Forbo Siegling Service – anytime, anywhere

In the company group, Forbo Siegling employs more than 1800 people worldwide. Our production facilities are located in nine countries; you can find companies and agencies with stock and workshops in more than 50 countries. Forbo Siegling service centres provide qualified assistance at more than 300 locations throughout the world.